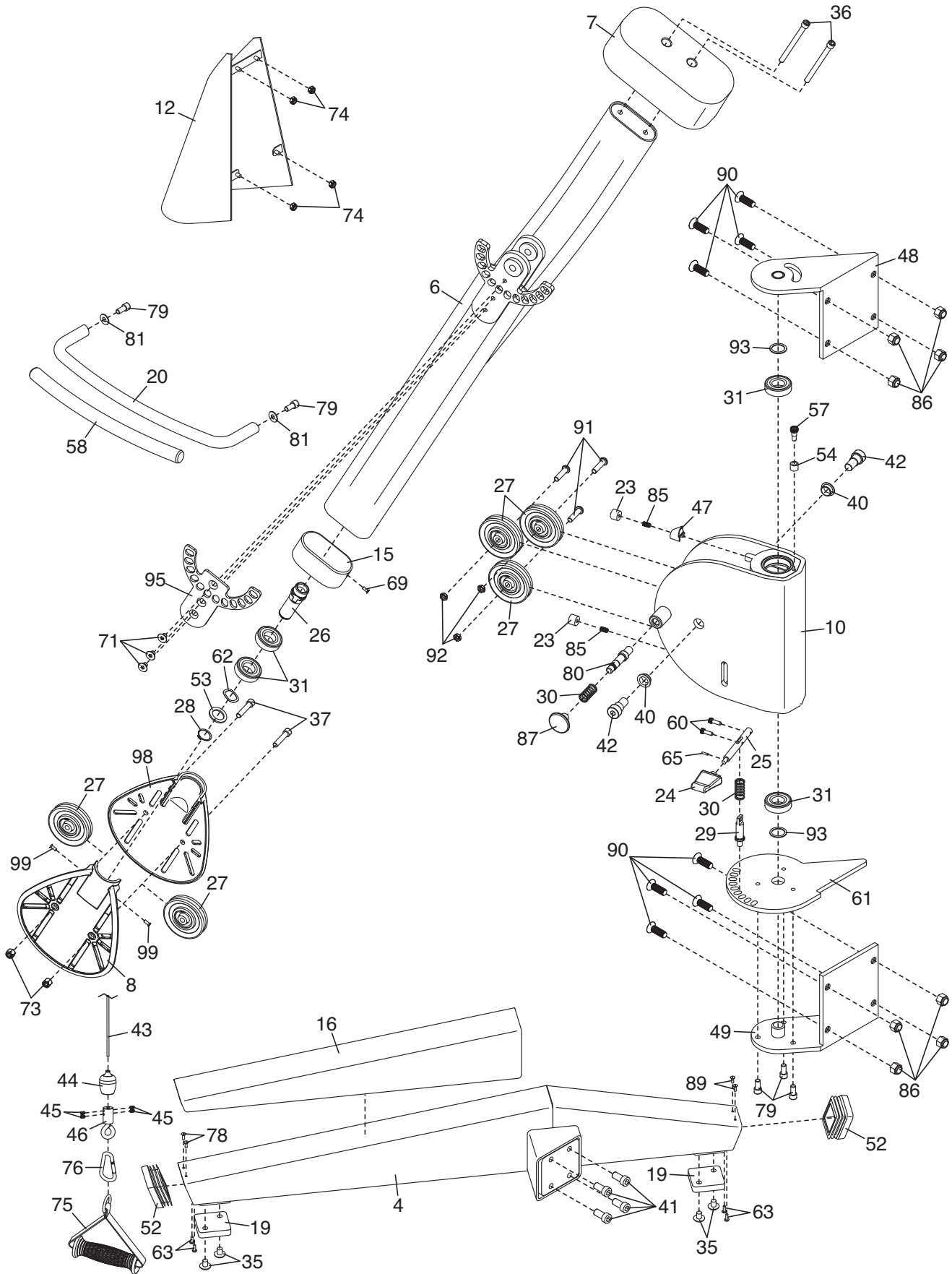


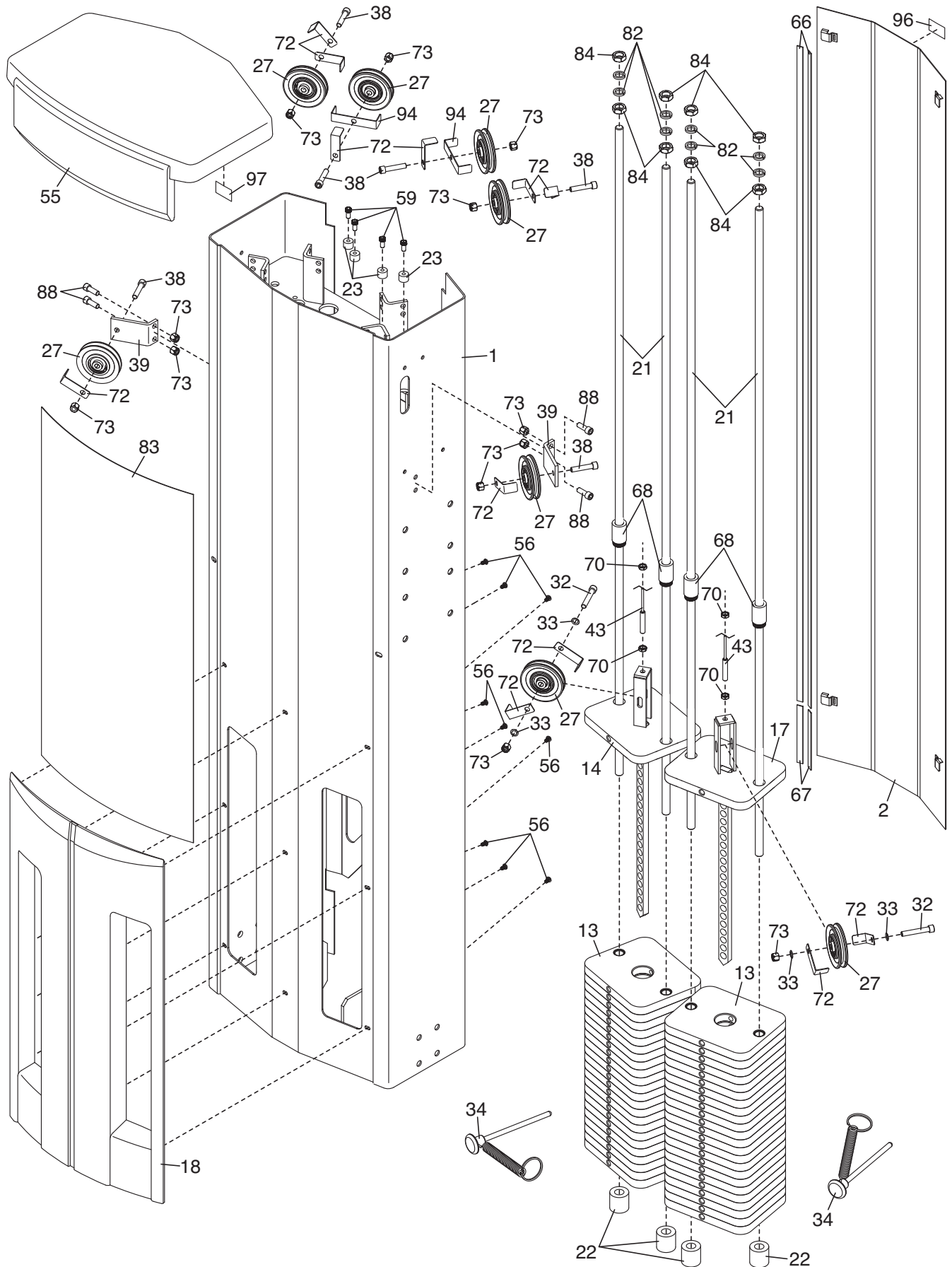
EXPLODED DRAWING A—Model No. F624.0

R0413A



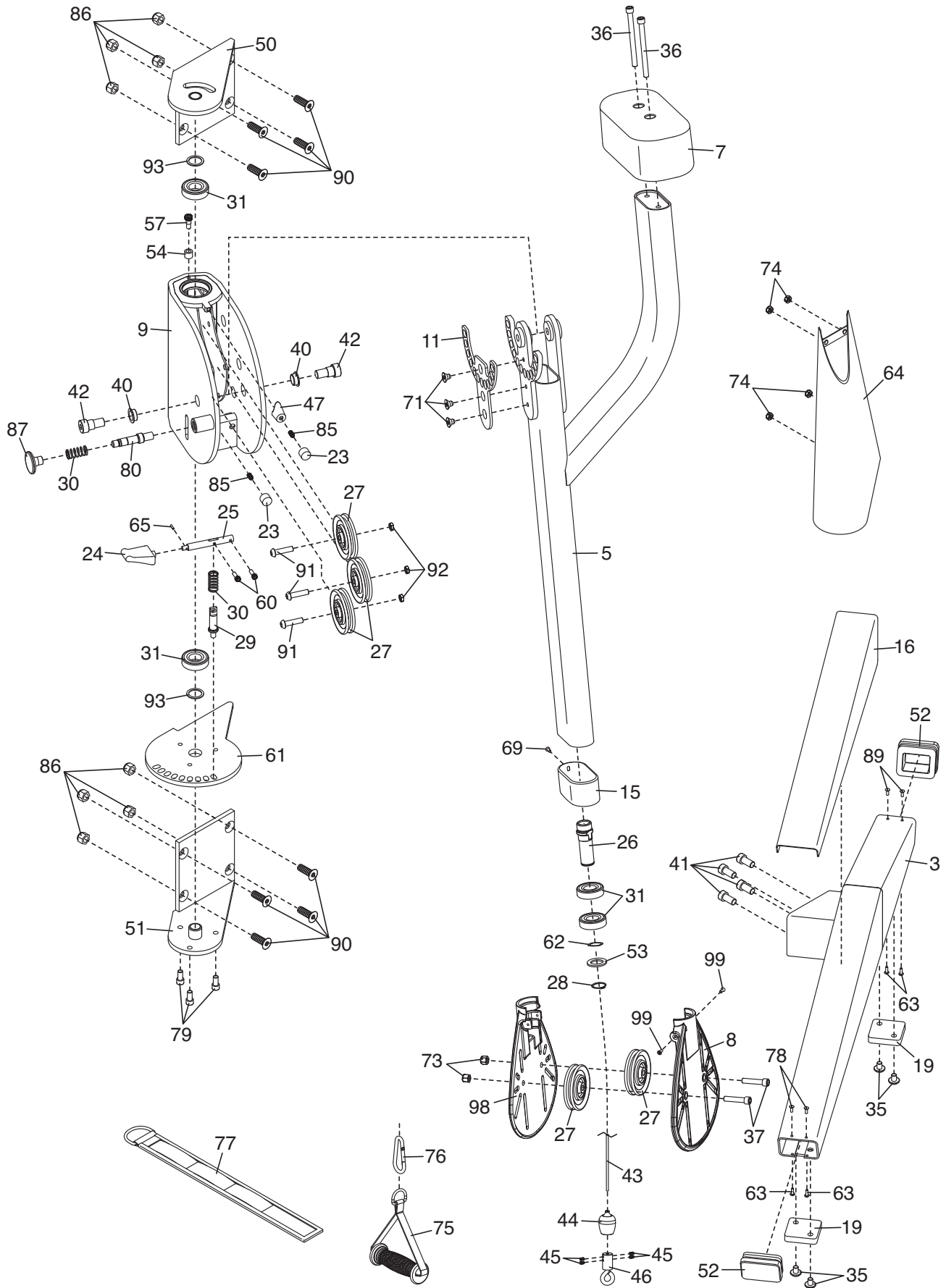
EXPLODED DRAWING B—Model No. F624.0

R0413A



EXPLODED DRAWING C—Model No. F624.0

R0413A



Bubble #	OEM Part No.	Part Description
5	318460	Right Arm
6	318459	Left Arm
10	299087	Carriage
19	GZ1517	FOOT
21	GZ3248-01	WEIGHT GUIDE
22	GZ1678	WEIGHT CUSHION
23	GZ1100	BUMPER
24	280037	Lever Handle
25	280038	Lever
27	GZ9501	Pulley, 3.5" Aluminum
28	GZ1018-01	RETAINER RING
29	279938	Pop Pin
30	GZ1677	SPRING
31	GZ1011-01	PIVOT PULLEY BEARING
32	GZ1014-05	3/8"X21/4" BOLT
33	GZ1069	SERRATED WASHER
35	GZ1012-07	3/8" X 1/2" BUTTON SCREW
36	GZ1013-11	3/8"X 4 1/2" SCKT HD SCRW
38	GZ1013-04	3/8" X 2" BOLT
40	GZ1485	3/4" BUSHING
41	GZ1009-01	1/2" X 1" SOCKET HD SCRW
42	GZ1042-02	3/4" X 1/2" SHOULDER BOLT
43	281392	Cable Assy, 18'4 Dual Cable Cross
44	GZ9507	CABLE STOP ASSY
45	XXXXXX	included in 44
46	XXXXXX	included in 44
52	GZ10196	STABILIZER CAP
59	GZ1015-05	5/16" X 5/8" SCKT HD SCRW
60	192777	Screw
65	298750	Roll Pin
70	GZ1083	3/8" JAM NUT
73	GZ1007	3/8" LOCKNUT
74	GZ1094	1/4" NUT
75	281229	Handle 21"
76	331959	Cable Clip
77	GZ5109-15	ANKLE STRAP
79	GZ1013-01	3/8" X 3/4" SOCKET SCREW
80	299015	Pop Pin Only
81	GZ1074	5/16" WASHER
82	GZ1085	5/8" LOCK WASHER
84	GZ1084	5/8" JAM NUT
86	GZ1109	1/2" LOCKNUT

Bubble #	OEM Part No.	Part Description
87	281896	Knob
88	GZ1013-12	3/8" X 1.25" BOLT
91	GZ1188	3/8" X 1 1/2"BTN HD SCRW
92	GZ1075	3/8" PINCH NUT
93	GZ1052	1" NYLON WASHER
95	252786	Nut, U, BTZ, 1/4-20
100	GZ1069	SERRATED WASHER